

MAIN CURRENT & PROTECTION TERMINALS

4K CRYOCOOLER

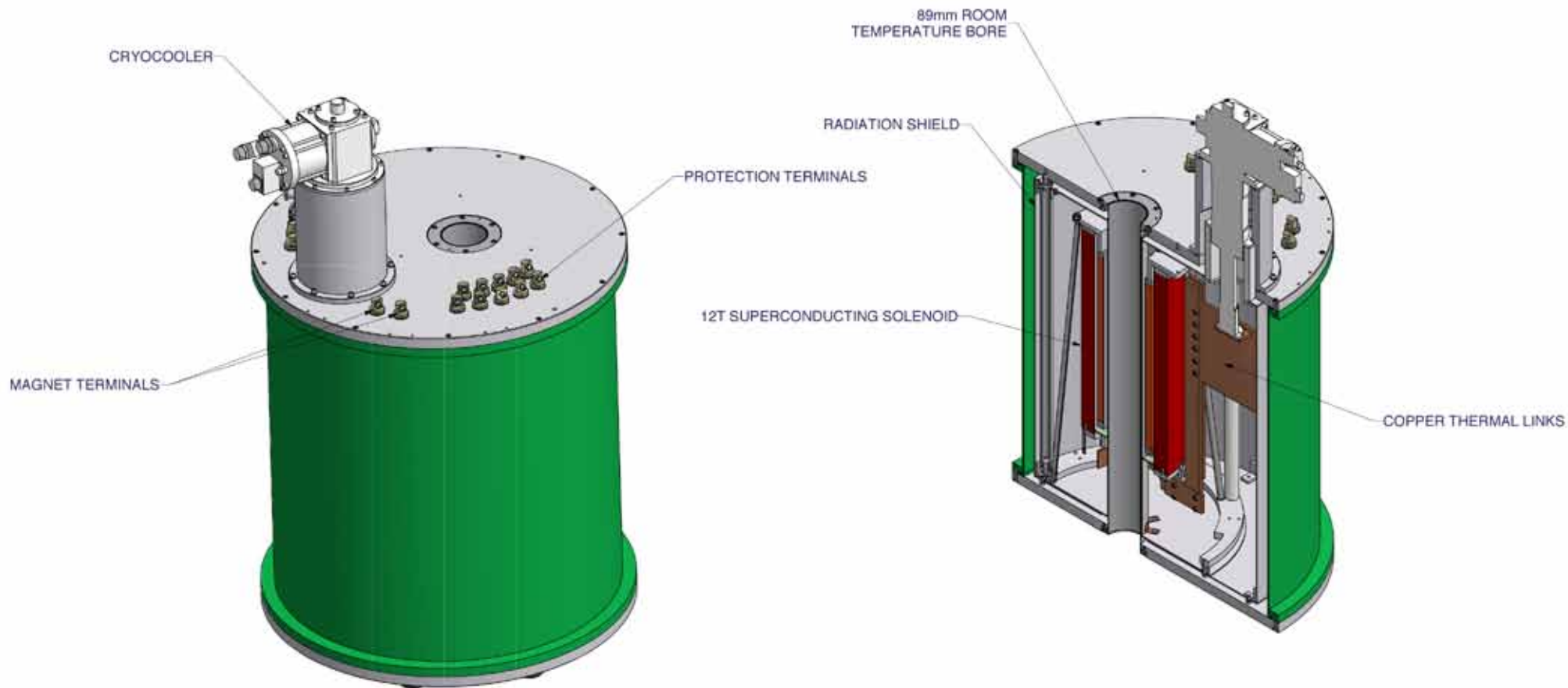
ROOM TEMPERATURE ACCESS TUBE

INSTRUMENTATION FLANGE

CRYOSTAT VACUUM WALL

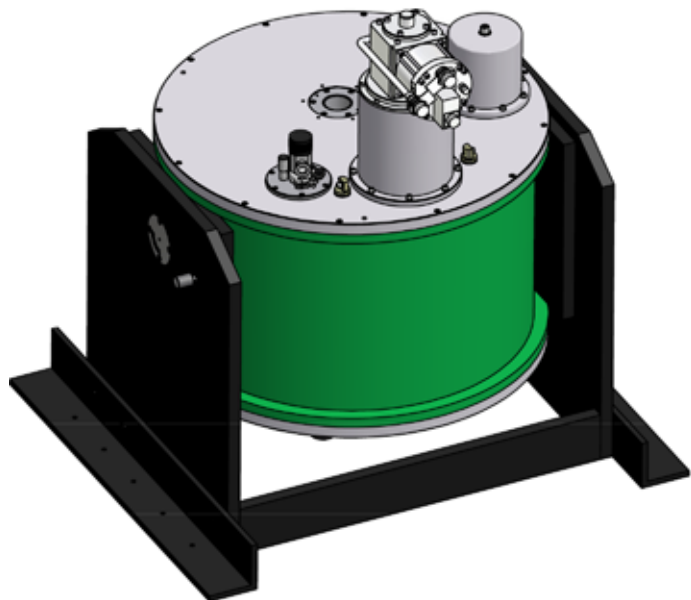
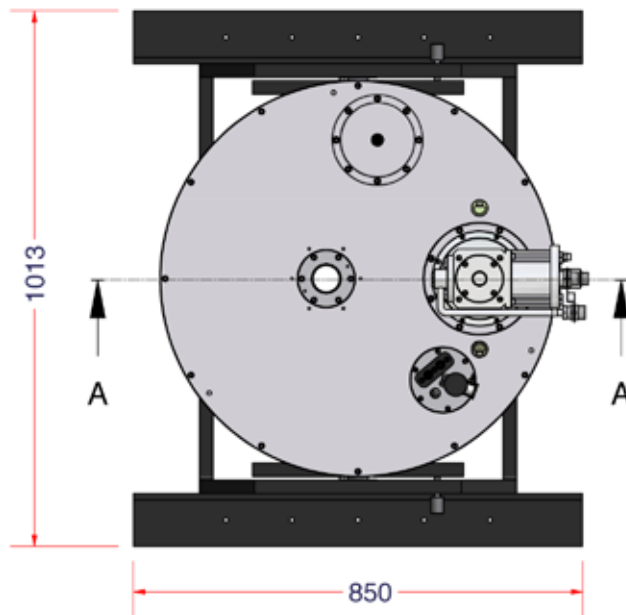
HIGH FIELD SUPERCONDUCTING SOLENOID

DRAWING No. CFM_01		<b>CRYOGENIC LTD</b>					
STD.PART No.							
DATE:	02/03/2004	MATERIAL SPECIFICATION	CUSTOM FINISH				
THIRD ANGLE PROJECTION		CRYOGEN FREE MAGNET SYSTEM					
THIS DRAWING BELONGS TO CRYOGENIC LTD AND IS ISSUED ON THE CONDITION THAT IT IS NOT COPIED, REPRODUCED OR DISCLOSED EITHER IN WHOLE OR IN PART VIA ANY MEDIUM WITHOUT THE PREVIOUS WRITTEN CONSENT OF CRYOGENIC LTD. ACTION PAPER NO: 000445, THE VALE, LONDON W12 7JL		TEMPERATURE	MM	TOLERANCE	±0.1	REV NUMBER	N/A
		DRAWN BY:	RM	REVIEWED BY:		QUANTITY	1

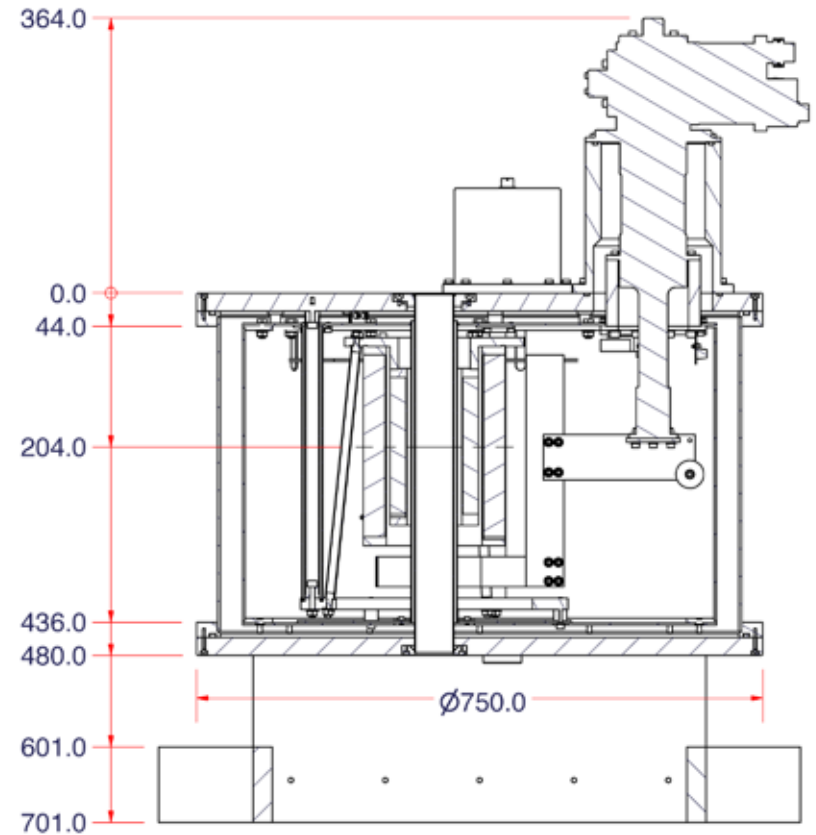


DRAWING No.		<b>CRYOGENIC LTD</b>		
SHEET 1 OF 1	FIRST DRAFT: 03/06/2005 THIS DRAFT: 03/06/2005			
STD. PART No.		MATERIAL SPECIFICATION	MASS: 236 kg	
THIRD ANGLE PROJECTION		Assembled CFM		
<small>THIS DRAWING BELONGS TO CRYOGENIC LTD AND IS ISSUED ON THE CONDITION THAT IT IS NOT COPIED, REPRINTED OR DISCLOSED EITHER IN WHOLE OR IN PART TO A THIRD PARTY WITHOUT THE PRIOR CONSENT OF CRYOGENIC LTD, ACTON PARK IND. ESTATE, THE VALE, LONDON W17 7QE.</small>		DIMENSION	TOLERANCE (UNLESS STATED)	JOB / Q. DATE NUMBER
		MM	X: ±1 X.X: ±0.1	
		DRAWN BY: WJO	REVIEWED BY:	QUANTITY: 1

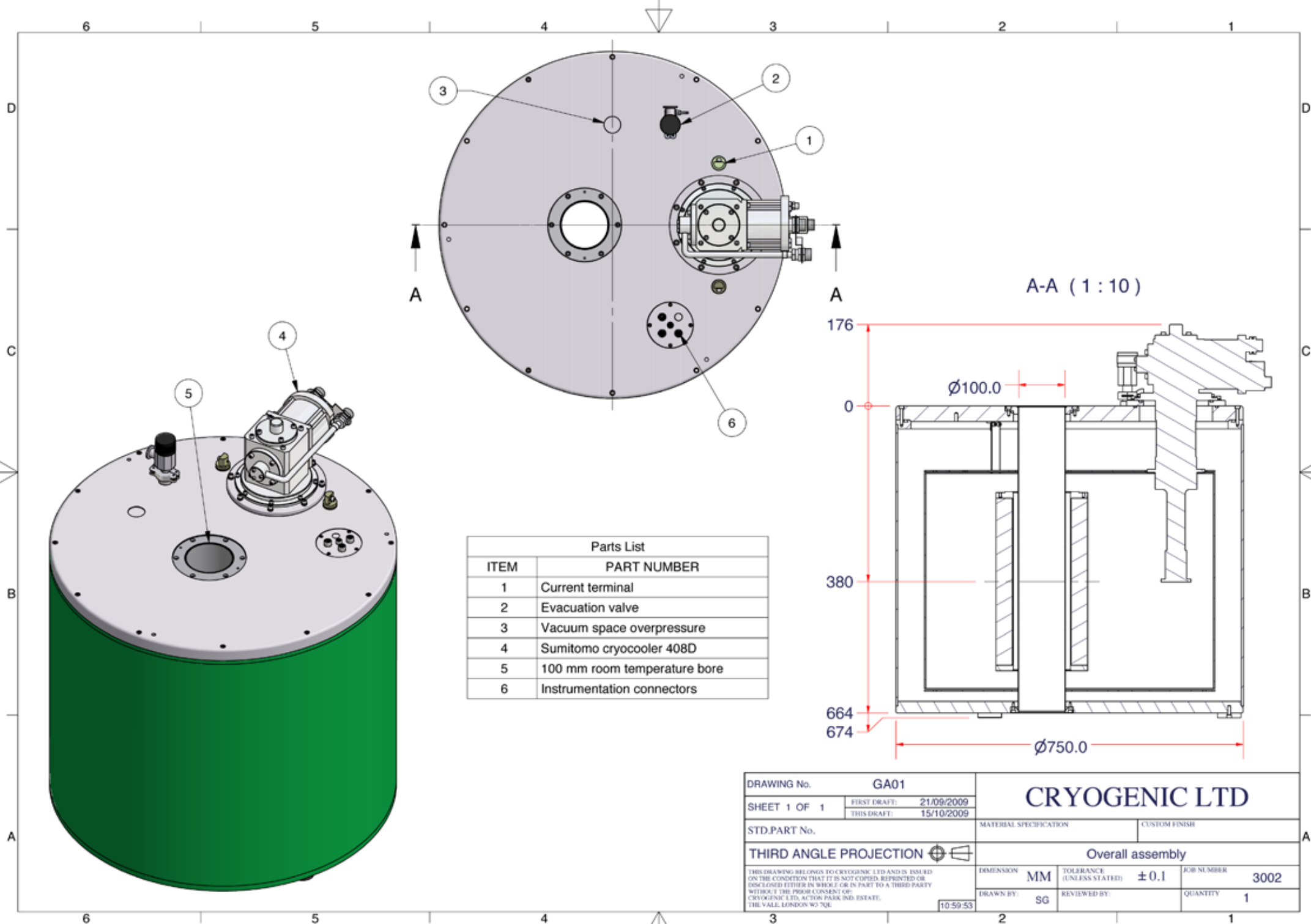
12.56.38



A-A (1:10)



DRAWING No. GA01		<b>CRYOGENIC LTD</b>	
SHEET 1 OF 1	FIRST DRAFT: 06/11/2009 THIS DRAFT: 06/11/2009		
STD.PART No.		MATERIAL SPECIFICATION	CUSTOM FINISH
THIRD ANGLE PROJECTION		rotating-cryostat	
<small>THIS DRAWING BELONGS TO CRYOGENIC LTD AND IS ISSUED ON THE CONDITION THAT IT IS NOT COPIED, REPRINTED OR DISCLOSED EITHER IN WHOLE OR IN PART TO A THIRD PARTY WITHOUT THE PRIOR CONSENT OF CRYOGENIC LTD, ACTON PARK IND. ESTATE, THE VALE, LONDON W9 7JG</small>		DIMENSION	TOLERANCE (UNLESS STATED) ± 0.1
		MM	JOB NUMBER 2866
DRAWN BY: SG		REVIEWED BY:	QUANTITY 1
11.53.12			



Parts List	
ITEM	PART NUMBER
1	Current terminal
2	Evacuation valve
3	Vacuum space overpressure
4	Sumitomo cryocooler 408D
5	100 mm room temperature bore
6	Instrumentation connectors

DRAWING No. GA01		<b>CRYOGENIC LTD</b>	
SHEET 1 OF 1	FIRST DRAFT: 21/09/2009 THIS DRAFT: 15/10/2009		
STD.PART No.		MATERIAL SPECIFICATION	CUSTOM FINISH
THIRD ANGLE PROJECTION		Overall assembly	
<small>THIS DRAWING BELONGS TO CRYOGENIC LTD AND IS ISSUED ON THE CONDITION THAT IT IS NOT COPIED, REPRINTED OR DISCLOSED EITHER IN WHOLE OR IN PART TO A THIRD PARTY WITHOUT THE PRIOR CONSENT OF CRYOGENIC LTD, ACTION PARK IND. ESTATE, THE VALE, LONDON W3 7JL.</small>		DIMENSION	JOB NUMBER
		MM	3002
DRAWN BY: SG	REVIEWED BY:	QUANTITY	1
10.59.53			