

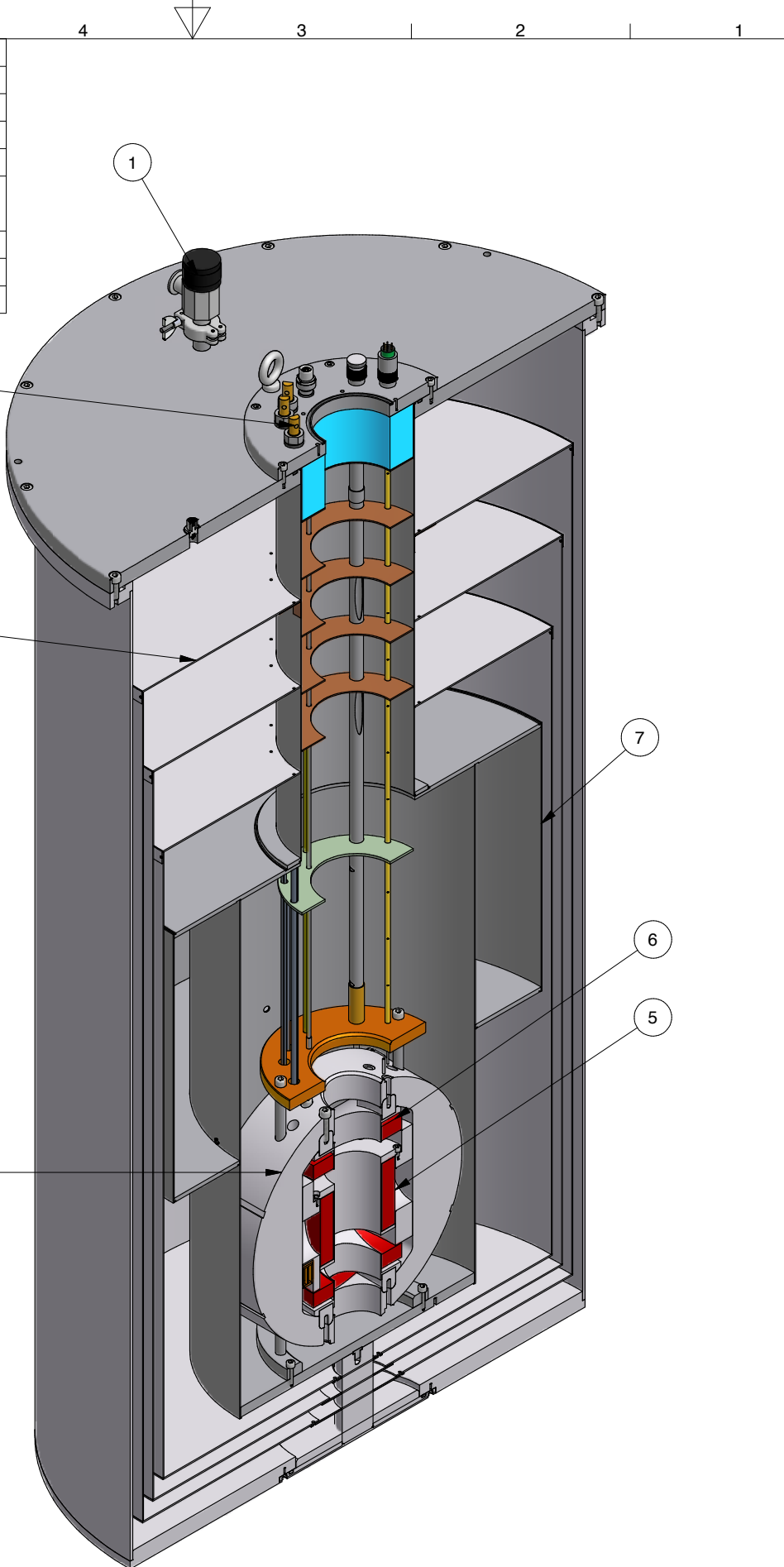
Parts List	
ITEM	DESCRIPTION
1	VACUUM PUMPING PORT
2	MAGNET CURRENT TERMINALS
3	RADIATION SHIELDS
4	9T-2T-2T VECTOR MAGNET FORMER
5	9T SOLENOID
6	2T SPLIT PAIR X-DIRECTION
7	HELIUM RESERVOIR

D

C

B

A



D

C

B

A

DRAWING No. GA-01		CRYOGENIC LTD	
SHEET 1 OF 1	FIRST DRAFT: 7/3/2008 THIS DRAFT: 12/1/2011		
STD.PART No.		MATERIAL SPECIFICATION	CUSTOM FINISH N/A
THIRD ANGLE PROJECTION		Cryostat and Vector magnet (9T-2T-2T)	
<small>THIS DRAWING BELONGS TO CRYOGENIC LTD AND IS ISSUED ON THE CONDITION THAT IT IS NOT COPIED, REPRINTED OR DISCLOSED EITHER IN WHOLE OR IN PART TO A THIRD PARTY WITHOUT THE PRIOR CONSENT OF CRYOGENIC LTD, ACTON PARK IND. ESTATE, THE VALE, LONDON W3 7QE.</small>		DIMENSION	TOLERANCE (UNLESS STATED) ± 0.1
		MM	JOB NUMBER N/A
		DRAWN BY: DB	REVIEWED BY:
10:21:01			

6

5

4

3

2

1