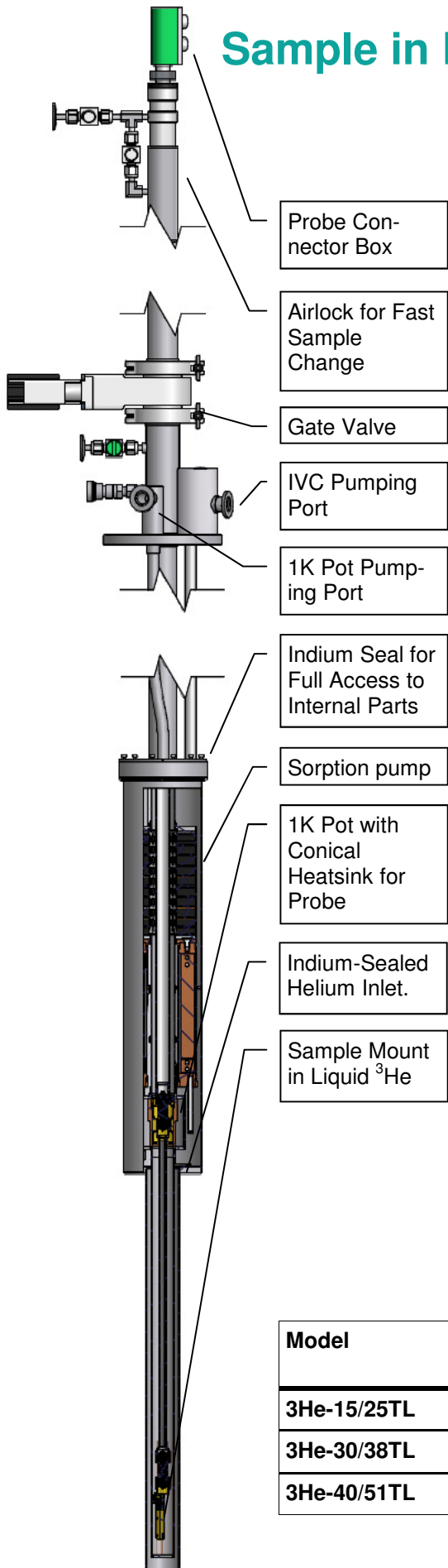


Sample in Liquid Top-Loading ^3He Insert



Specifications

- Variety of tail options available to fit the bore of a superconducting magnet.
- Standard body diameter of 101.6 mm.
- Calibrated Cernox or Ruthenium Oxide sensors fitted to ^3He pot and all probes.
- Additional temperature sensors on 1K pot and sorption pump.
- Sorption pump cooled by helium gas flow or optionally via a gas-gap heat switch to the helium bath.
- Labview Software available for operation with a Lakeshore 350 four-channel temperature controller.
- Typical zero-load hold time up to 24 hours with a ten-litre charge of ^3He gas.
- Cooling power up to 5mW with sample temperature below 500mK.
- Operating range 0.3K to 3K in single-shot liquid mode or 2K to 80K as a continuously operating exchange-gas VTI.
- Supplied with external Helium-3 dump vessel and auxiliary sorption pump for secure removal and storage of gas.

Probe Options

- Probe options include one- or two-axis sample mounting or mechanical sample rotator.
- Sample mounting options include standard 6-pin PCBs or 20-pin LCC carriers.
- Wiring options include up to twelve twisted pairs and up to four flexible or semi-rigid coaxial cables.

Model	Nominal Sample Access	Tail Outer Diameter	Maximum ^3He Capacity
3He-15/25TL	15mm	25.4mm	15 litres
3He-30/38TL	30mm	38.1mm	25 litres
3He-40/51TL	40mm	50.8mm	30 litres